

- (A) = 4 X M5 X 16mm SCREW
- (B) = 4 X WASHER
- (C) = BASHGUARD
- (D) = 4 X BOLT
- (E) = BIG CHAINRING [NOT SUPPLIED]
- (F) = BCD 104 CRANKSET [NOT SUPPLIED]
- (G) = MIDDLE CHAINRING [NOT SUPPLIED]
- (H) = 4 X 8.75mm CHAINRING NUT
- (I) = SMALL CHAINRING [NOT SUPPLIED]
- (J) = 4 X INNER CHAINRING BOLT [NOT SUPPLIED]

NOTE: THE FRONT DERAILLEUR'S HEIGHT MAY NEED TO BE ADJUSTED SO THAT THE BOTTOM EDGE OF THE CAGE DOES NOT INTERFERE WITH THE OUTSIDE DIAMETER OF THE BASHGUARD. FURTHER FRONT DERAILLEUR ADJUSTMENT POST-INSTALLATION OF THE BASHGUARD WILL BE REQUIRED TO ENSURE PROPER OPERATION OF THE FRONT DERAILLEUR.

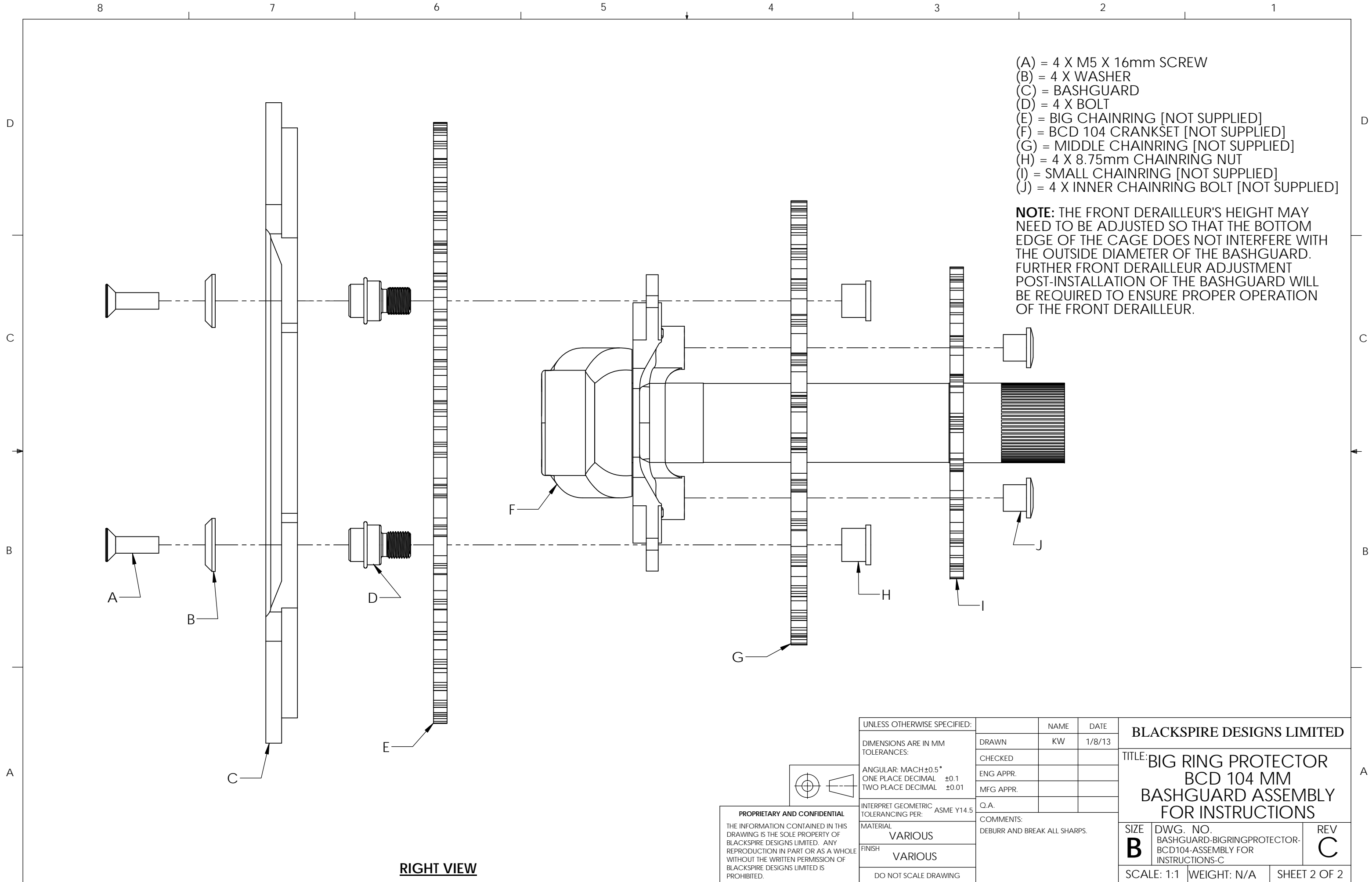
ISOMETRIC VIEW

PROPRIETARY AND CONFIDENTIAL
 THE INFORMATION CONTAINED IN THIS DRAWING IS THE SOLE PROPERTY OF BLACKSPIRE DESIGNS LIMITED. ANY REPRODUCTION IN PART OR AS A WHOLE WITHOUT THE WRITTEN PERMISSION OF BLACKSPIRE DESIGNS LIMITED IS PROHIBITED.

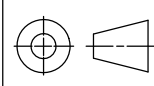
UNLESS OTHERWISE SPECIFIED:	
DIMENSIONS ARE IN MM	
TOLERANCES:	
ANGULAR: MACH ±0.5°	
ONE PLACE DECIMAL ±0.1	
TWO PLACE DECIMAL ±0.01	
INTERPRET GEOMETRIC TOLERANCING PER:	ASME Y14.5
MATERIAL	VARIOUS
FINISH	VARIOUS
DO NOT SCALE DRAWING	

NAME	DATE
DRAWN	KW 1/8/13
CHECKED	
ENG APPR.	
MFG APPR.	
Q.A.	
COMMENTS:	
DEBURR AND BREAK ALL SHARPS.	

BLACKSPIRE DESIGNS LIMITED		
TITLE: BIG RING PROTECTOR BCD 104 MM BASHGUARD ASSEMBLY FOR INSTRUCTIONS		
SIZE	DWG. NO.	REV
B	BASHGUARD- BIGRINGPROTECTOR-BCD104- ASSEMBLY FOR INSTRUCTIONS-C	C
SCALE: 1:1	WEIGHT: N/A	SHEET 1 OF 2



PROPRIETARY AND CONFIDENTIAL
 THE INFORMATION CONTAINED IN THIS DRAWING IS THE SOLE PROPERTY OF BLACKSPIRE DESIGNS LIMITED. ANY REPRODUCTION IN PART OR AS A WHOLE WITHOUT THE WRITTEN PERMISSION OF BLACKSPIRE DESIGNS LIMITED IS PROHIBITED.



UNLESS OTHERWISE SPECIFIED:	
DIMENSIONS ARE IN MM	
TOLERANCES:	
ANGULAR: MACH ±0.5°	
ONE PLACE DECIMAL ±0.1	
TWO PLACE DECIMAL ±0.01	
INTERPRET GEOMETRIC TOLERANCING PER: ASME Y14.5	
MATERIAL	VARIOUS
FINISH	VARIOUS
DO NOT SCALE DRAWING	

NAME	DATE
DRAWN	KW 1/8/13
CHECKED	
ENG APPR.	
MFG APPR.	
Q.A.	
COMMENTS:	DEBURR AND BREAK ALL SHARPS.

BLACKSPIRE DESIGNS LIMITED		
TITLE: BIG RING PROTECTOR BCD 104 MM BASHGUARD ASSEMBLY FOR INSTRUCTIONS		
SIZE	DWG. NO.	REV
B	BASHGUARD-BIGRINGPROTECTOR-BCD104-ASSEMBLY FOR INSTRUCTIONS-C	C
SCALE: 1:1	WEIGHT: N/A	SHEET 2 OF 2