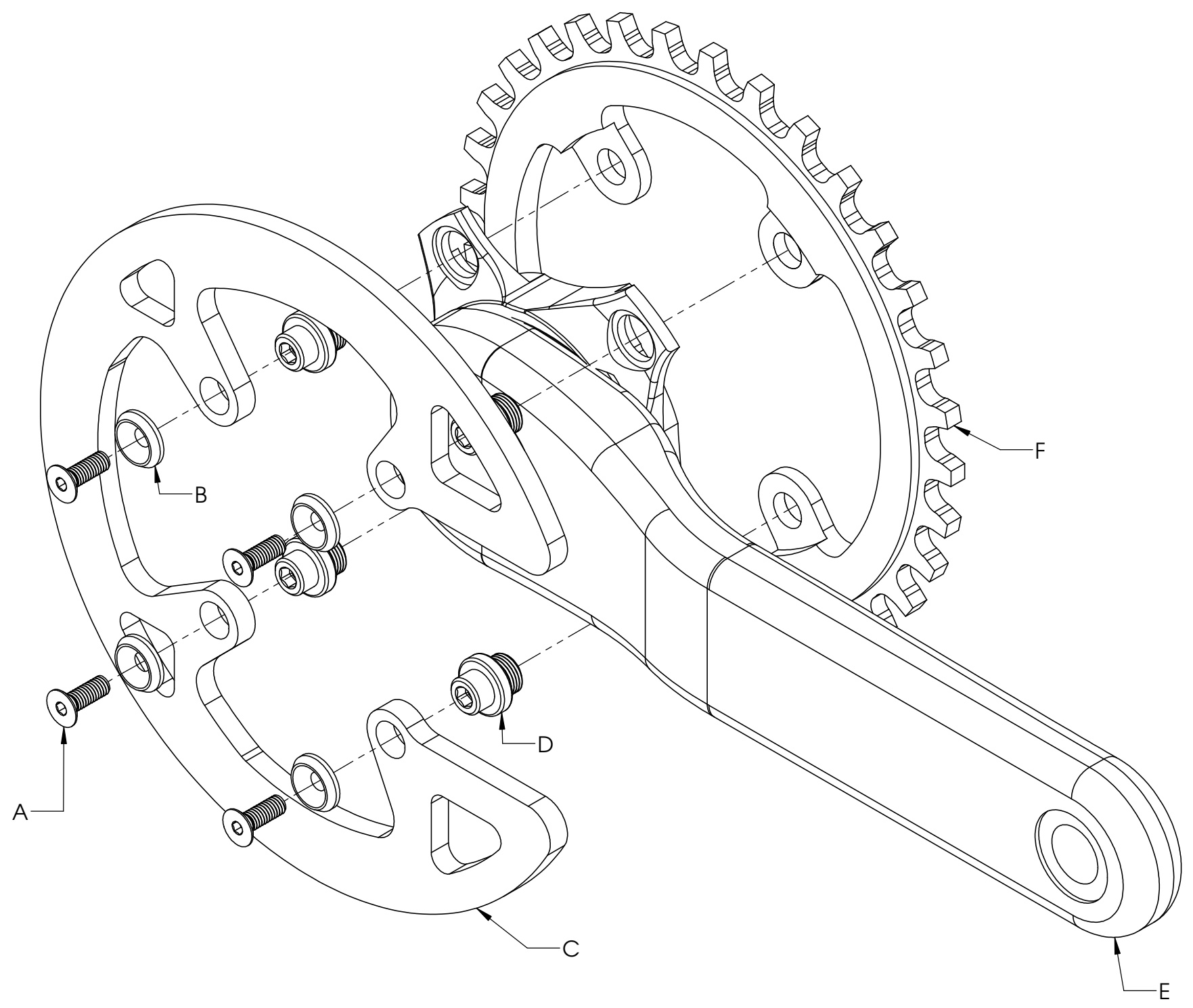


8 7 6 5 4 3 2 1

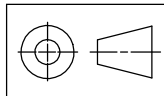
D  
C  
B  
A

D  
C  
B  
A

- (A) = 4 X M4 X 12mm SCREW
- (B) = 4 X WASHER
- (C) = BASHGUARD
- (D) = 4 X BOLT
- (E) = SRAM XX1 CRANKSET (NOT SUPPLIED)
- (F) = SRAM XX1 CHAINRING (NOT SUPPLIED)



**ISOMETRIC VIEW**



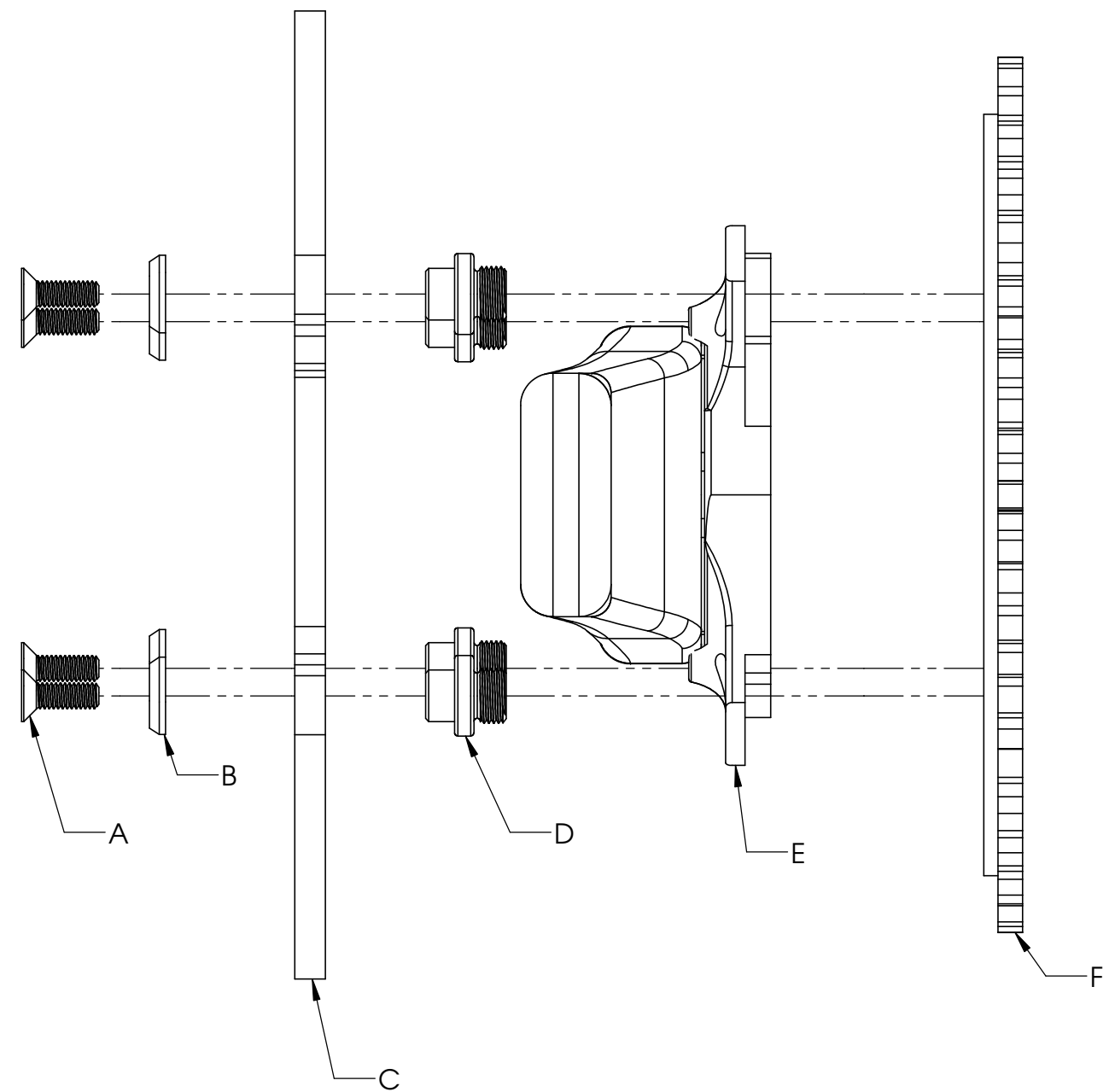
**PROPRIETARY AND CONFIDENTIAL**  
 THE INFORMATION CONTAINED IN THIS DRAWING IS THE SOLE PROPERTY OF BLACKSPIRE DESIGNS LIMITED. ANY REPRODUCTION IN PART OR AS A WHOLE WITHOUT THE WRITTEN PERMISSION OF BLACKSPIRE DESIGNS LIMITED IS PROHIBITED.

UNLESS OTHERWISE SPECIFIED:		NAME	DATE	BLACKSPIRE DESIGNS LIMITED	
DIMENSIONS ARE IN MM		DRAWN	KW	3/6/13	TITLE: <b>SRAM XX1 BASHGUARD ASSEMBLY FOR INSTRUCTIONS</b>
TOLERANCES:		CHECKED			
ANGULAR: MACH ±0.5°		ENG APPR.			
ONE PLACE DECIMAL ±0.1		MFG APPR.			
TWO PLACE DECIMAL ±0.01		Q.A.			SIZE <b>B</b> DWG. NO. BASHGUARD-SRAMXX1-ASSEMBLY FOR INSTRUCTIONS-A REV <b>A</b>
INTERPRET GEOMETRIC TOLERANCING PER: ASME Y14.5		COMMENTS:		SCALE: 1:1 WEIGHT: N/A SHEET 1 OF 2	
MATERIAL: VARIOUS		DEBURR AND BREAK ALL SHARPS.			
FINISH: VARIOUS					
DO NOT SCALE DRAWING					

8 7 6 5 4 3 2 1

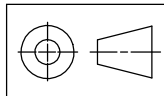
8 7 6 5 4 3 2 1

D C B A



- (A) = 4 X M4 X 12mm SCREW
- (B) = 4 X WASHER
- (C) = BASHGUARD
- (D) = 4 X BOLT
- (E) = SRAM XX1 CRANKSET (NOT SUPPLIED)
- (F) = SRAM XX1 CHAINRING (NOT SUPPLIED)

**RIGHT VIEW**



**PROPRIETARY AND CONFIDENTIAL**  
 THE INFORMATION CONTAINED IN THIS DRAWING IS THE SOLE PROPERTY OF BLACKSPIRE DESIGNS LIMITED. ANY REPRODUCTION IN PART OR AS A WHOLE WITHOUT THE WRITTEN PERMISSION OF BLACKSPIRE DESIGNS LIMITED IS PROHIBITED.

UNLESS OTHERWISE SPECIFIED:	
DIMENSIONS ARE IN MM	
TOLERANCES:	
ANGULAR: MACH ±0.5°	
ONE PLACE DECIMAL ±0.1	
TWO PLACE DECIMAL ±0.01	
INTERPRET GEOMETRIC TOLERANCING PER: ASME Y14.5	
MATERIAL	VARIOUS
FINISH	VARIOUS
DO NOT SCALE DRAWING	

NAME	DATE
DRAWN KW	3/6/13
CHECKED	
ENG APPR.	
MFG APPR.	
Q.A.	
COMMENTS: DEBURR AND BREAK ALL SHARPS.	

BLACKSPIRE DESIGNS LIMITED		
TITLE: SRAM XX1 BASHGUARD ASSEMBLY FOR INSTRUCTIONS		
SIZE <b>B</b>	DWG. NO. BASHGUARD-SRAMXX1-ASSEMBLY FOR INSTRUCTIONS-A	REV <b>A</b>
SCALE: 1:1	WEIGHT: N/A	SHEET 2 OF 2

A

8 7 6 5 4 3 2 1