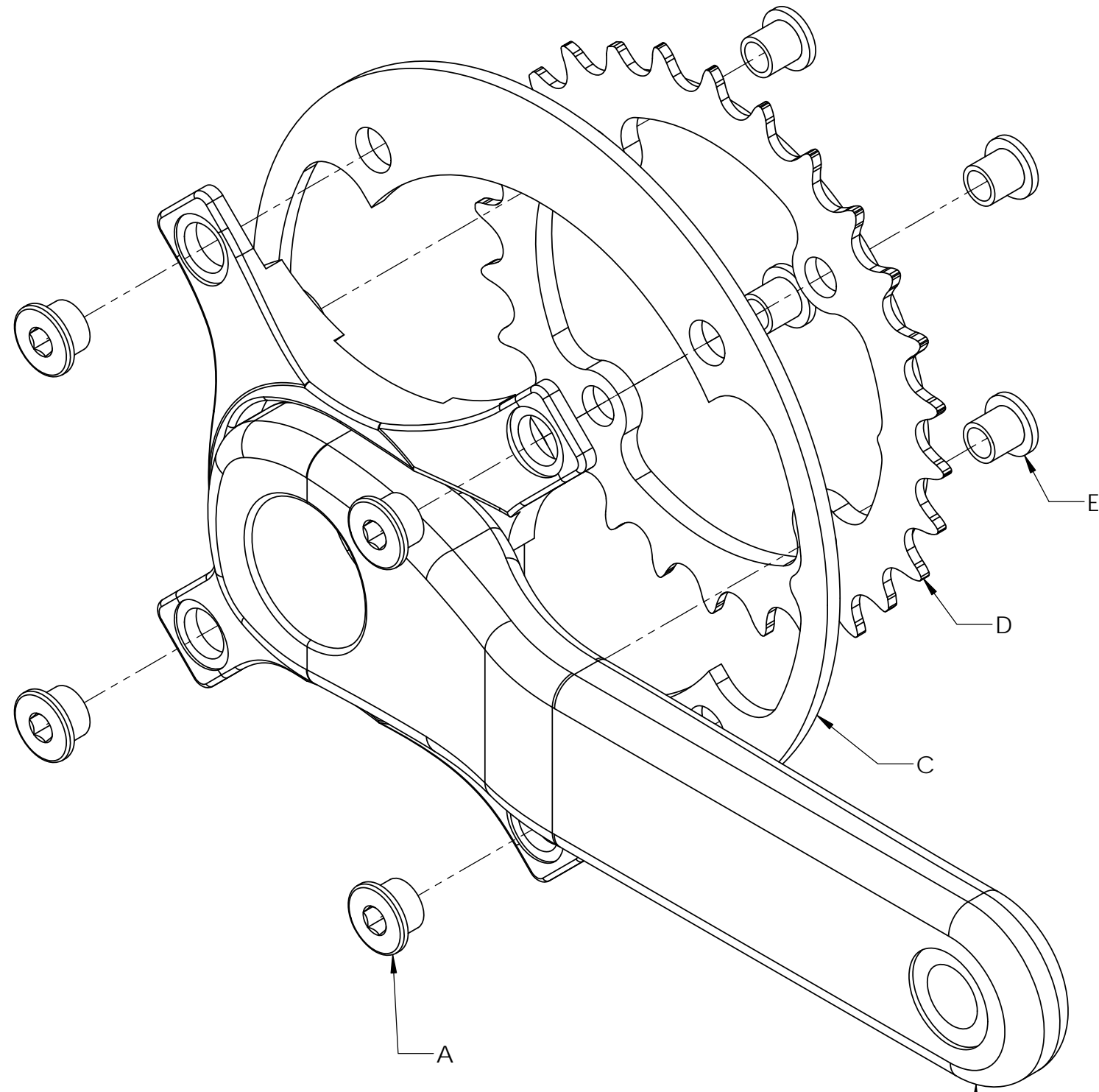


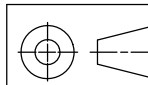
8 7 6 5 4 3 2 1

D
C
B
A



- (A) = 4X OUTER CHAINRING BOLT [NOT SUPPLIED]
- (B) = CRANKSET [NOT SUPPLIED AND SPINDLE NOT SHOWN]
- (C) = BASHGUARD
- (D) = SMALL CHAINRING [NOT SUPPLIED]
- (E) = 4 X CHAINRING BOLT [NOT SUPPLIED]

ISOMETRIC VIEW



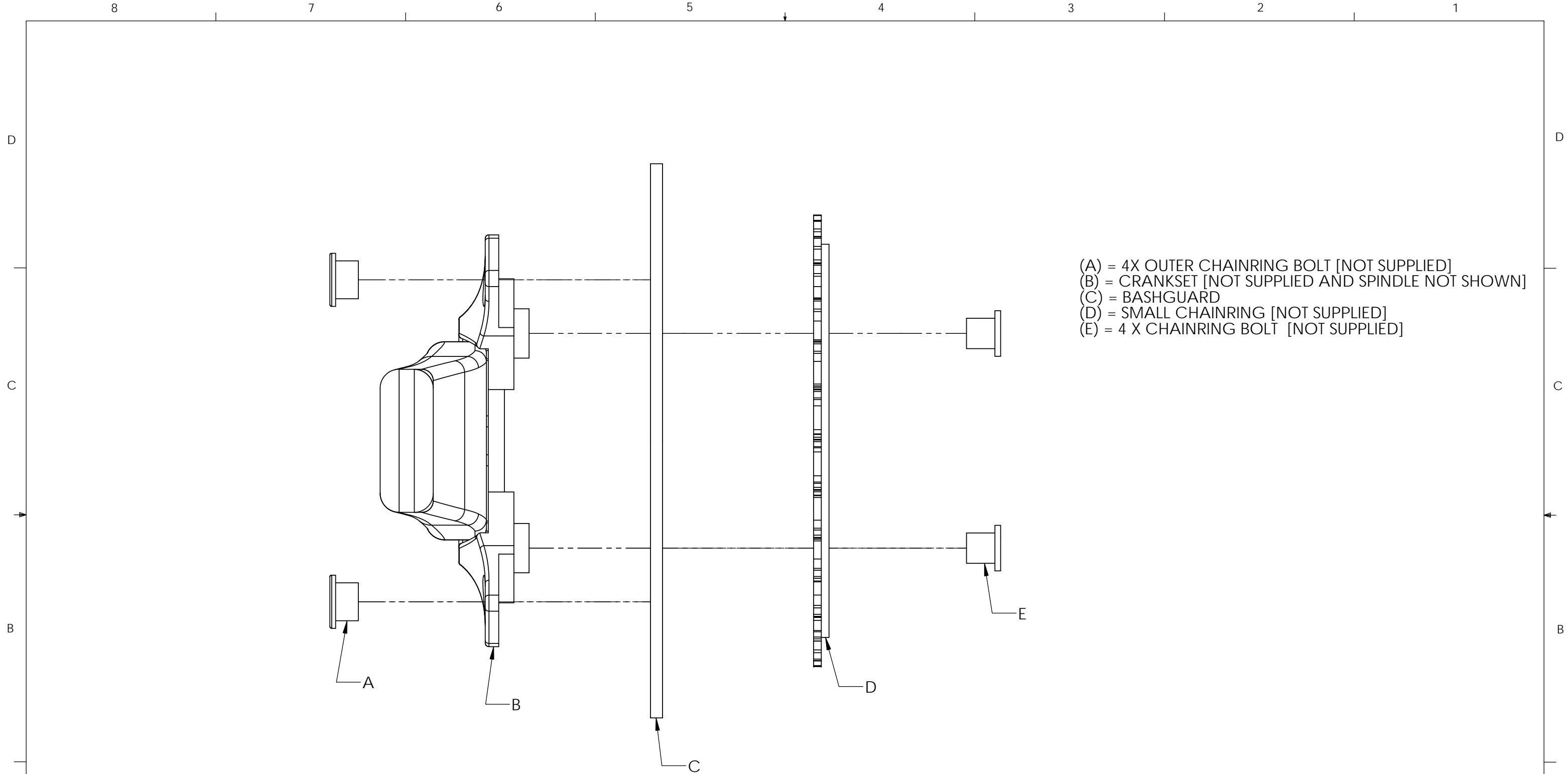
PROPRIETARY AND CONFIDENTIAL
 THE INFORMATION CONTAINED IN THIS DRAWING IS THE SOLE PROPERTY OF BLACKSPIRE DESIGNS LIMITED. ANY REPRODUCTION IN PART OR AS A WHOLE WITHOUT THE WRITTEN PERMISSION OF BLACKSPIRE DESIGNS LIMITED IS PROHIBITED.

UNLESS OTHERWISE SPECIFIED:	
DIMENSIONS ARE IN MM	
TOLERANCES:	
ANGULAR: MACH ±0.5°	
ONE PLACE DECIMAL ±0.1	
TWO PLACE DECIMAL ±0.01	
INTERPRET GEOMETRIC TOLERANCING PER:	ASME Y14.5
MATERIAL	VARIOUS
FINISH	VARIOUS
DO NOT SCALE DRAWING	

	NAME	DATE
DRAWN	KW	3/8/13
CHECKED		
ENG APPR.		
MFG APPR.		
Q.A.		
COMMENTS: DEBURR AND BREAK ALL SHARPS.		

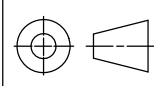
BLACKSPIRE DESIGNS LIMITED		
TITLE: TRUVATIV X0 BCD 120 MM 1X BASHGUARD ASSEMBLY FOR INSTRUCTIONS		
SIZE	DWG. NO.	REV
B	BASHGUARD-TRUVATIVX0-GXP-BCD120-1X-ASSEMBLY FOR INSTRUCTIONS-A	A
SCALE: 1:1	WEIGHT: N/A	SHEET 1 OF 2

8 7 6 5 4 3 2 1



- (A) = 4X OUTER CHAINRING BOLT [NOT SUPPLIED]
- (B) = CRANKSET [NOT SUPPLIED AND SPINDLE NOT SHOWN]
- (C) = BASHGUARD
- (D) = SMALL CHAINRING [NOT SUPPLIED]
- (E) = 4 X CHAINRING BOLT [NOT SUPPLIED]

RIGHT VIEW



PROPRIETARY AND CONFIDENTIAL
 THE INFORMATION CONTAINED IN THIS DRAWING IS THE SOLE PROPERTY OF BLACKSPIRE DESIGNS LIMITED. ANY REPRODUCTION IN PART OR AS A WHOLE WITHOUT THE WRITTEN PERMISSION OF BLACKSPIRE DESIGNS LIMITED IS PROHIBITED.

UNLESS OTHERWISE SPECIFIED:	
DIMENSIONS ARE IN MM	
TOLERANCES:	
ANGULAR: MACH±0.5°	
ONE PLACE DECIMAL ±0.1	
TWO PLACE DECIMAL ±0.01	
INTERPRET GEOMETRIC TOLERANCING PER: ASME Y14.5	
MATERIAL	VARIOUS
FINISH	VARIOUS
DO NOT SCALE DRAWING	

	NAME	DATE
DRAWN	KW	3/8/13
CHECKED		
ENG APPR.		
MFG APPR.		
Q.A.		
COMMENTS: DEBURR AND BREAK ALL SHARPS.		

BLACKSPIRE DESIGNS LIMITED		
TITLE: TRUVATIV X0 BCD 120 MM 1X BASHGUARD ASSEMBLY FOR INSTRUCTIONS		
SIZE	DWG. NO.	REV
B	BASHGUARD-TRUVATIVX0-GXP-BCD120-1X-ASSEMBLY FOR INSTRUCTIONS-A	A
SCALE: 1:1	WEIGHT: N/A	SHEET 2 OF 2