

BLACKSPIRE DESIGNS LIMITED

# ISCG 03 VS ISCG 05 STANDARD

---

CREATED BY: KELVIN WONG

REVISION	DATE	APPROVED BY:
IR	9/24/13	CG
A	9/26/13	KW

#5-730 EATON WAY  
ANNACIS ISLAND, DELTA, BC  
CANADA V3M 6J9

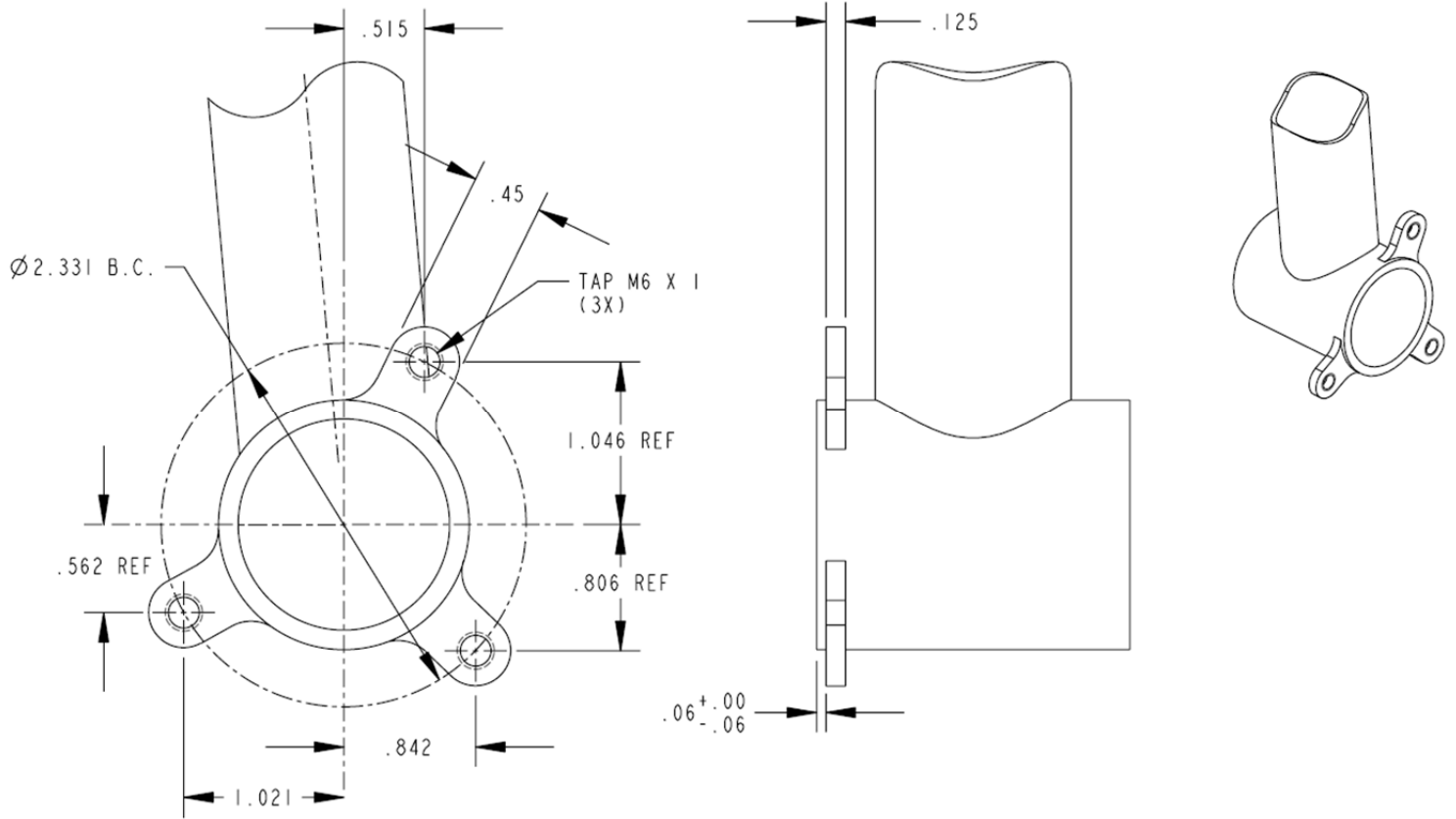
REVISION	CHANGES
IR	-INITIAL RELEASE.
A	-RELEASED FOR ONLINE PUBLICATION.

---

## DETERMINING ISCG 03 VS ISCG 05 STANDARD ON FRAME

---

- ISCG 03 Standard (shown dimensions are in **INCHES**)



- ISCG 05 Standard (shown dimensions are in MILLIMETERS)

NOTE: A **minimum of 2.5 mm offset** for the front face of the ISCG 05 tabs measured from the front face of the bottom bracket shell is required in order for the frame to be conforming to the ISCG 05 standard and compatible with Blackspire chainguides.

