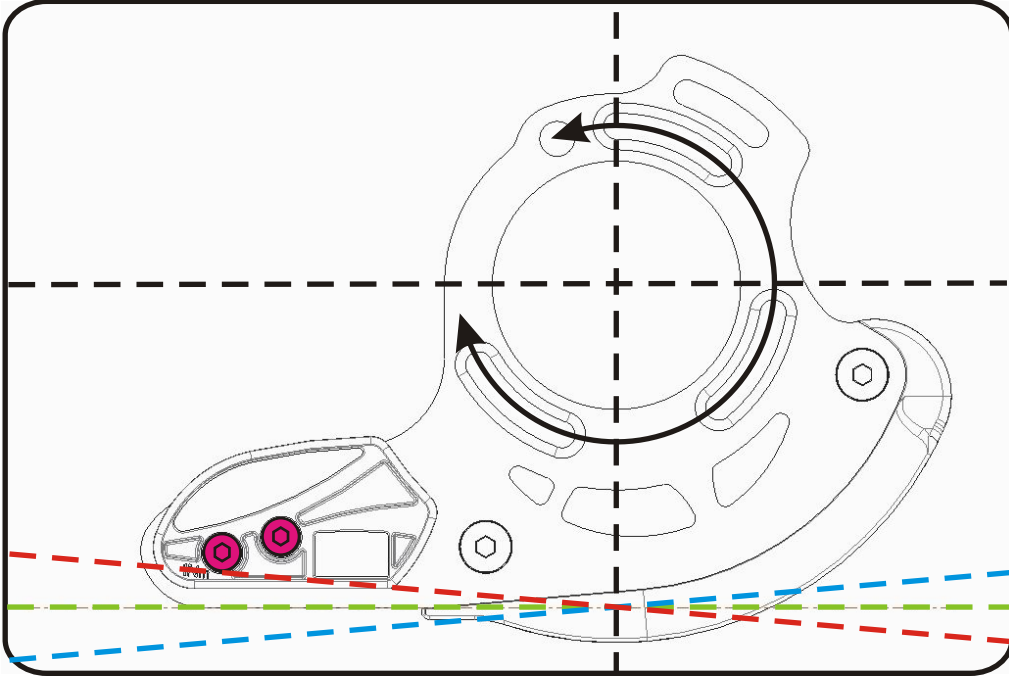


BLACKSPIRE SUPER COMPONENTS

2012 Twinty2X INSTALLATION

If you don't understand the following please have your local BLACKSPIRE dealer complete the installation.

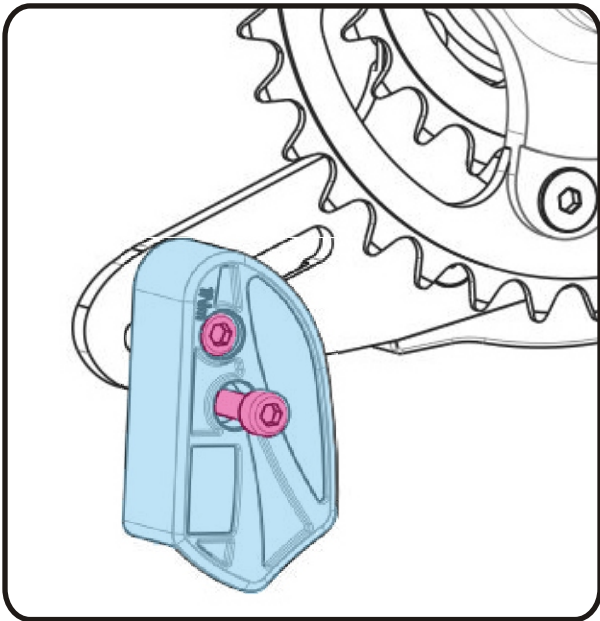


TWINTY2X GUIDE should be clocked so that the **FLAT BOTTOM EDGE** of the **SLIDER** is within $\pm 5^\circ$ of parallel to the ground. (Between **BLUE** and **RED** line)

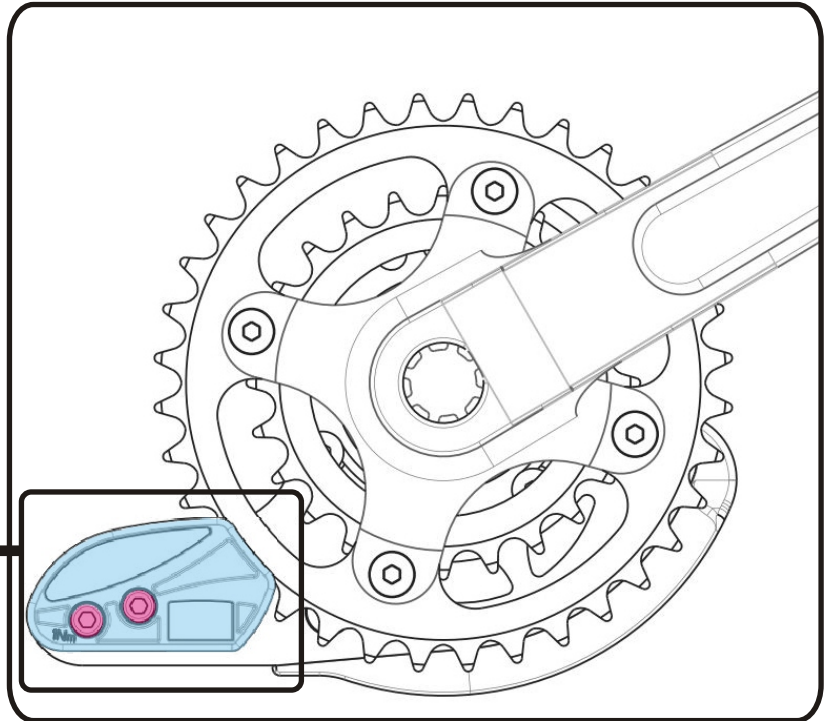
GREEN – Parallel to ground, **Ideal angle**

RED – $+5^\circ$, 6"+ travel bikes

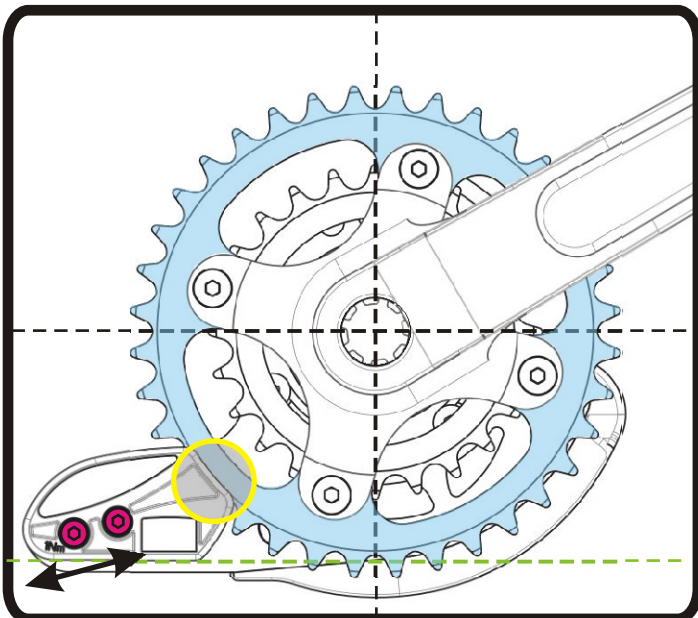
BLUE – -5° , 4"- travel bikes



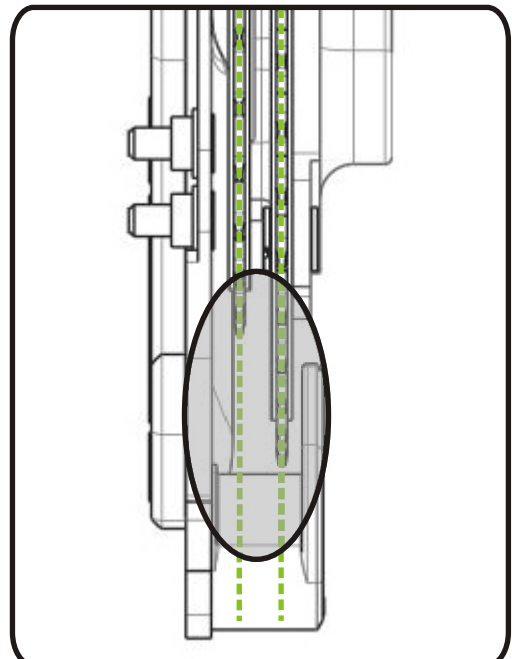
Remove forward **BOLT** from **SLIDER**, loosen rear **BOLT**
Rotate the **SLIDER** clockwise to install/remove crank

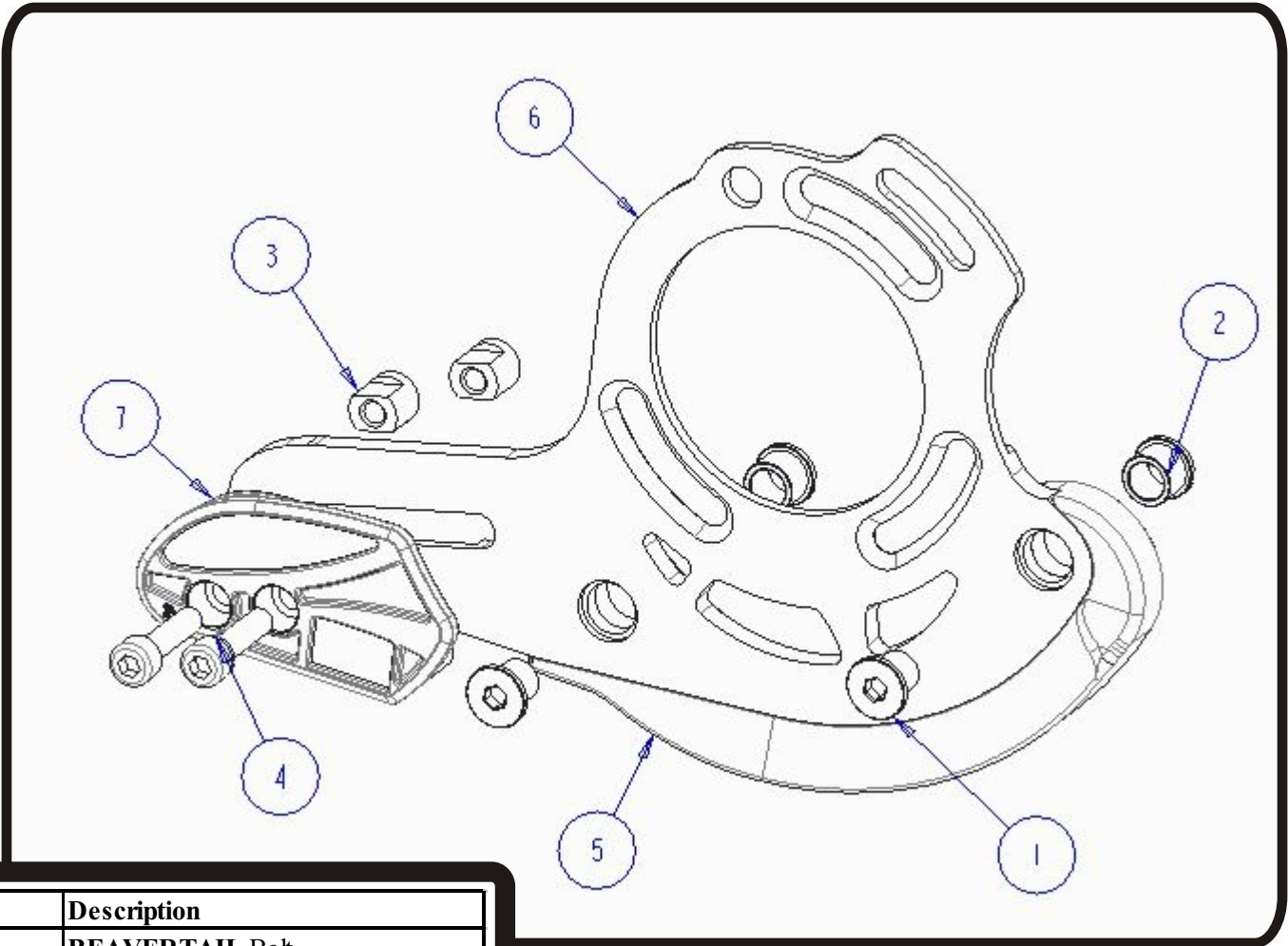


SLIDER must overlap **chainring teeth** as shown



CHAINRINGS must be centered in **SLIDER**





#	Description
1	BEAVERTAIL Bolt
2	BEAVERTAIL Nut
3	M5 Aluminum Nut 7.5mm
4	M5 x 20mm Socket Head Bolt
5	BEAVERTAIL
6	SLIDER

WARNING: Some lubricants contain mineral spirits that are extremely harmful to plastics! Do not use lubricants or degreasers that contain mineral spirits.

These lubricants are approved for use with DER guide (USE ONLY LUBRICANTS LISTED BELOW):

- TriFlow Regular (Drip Bottle ONLY)
- Pedros Go!
- Pedros SynLube
- Finish Line Wet
- White Lightning
- Chain-L
- Squirt
- Dumond Tech

These degreasers are approved for use with DER guide:

- Pedros BIO Degreaser (Drip Bottle ONLY)
- Finish Line Multi-Degreaser

DO NOT USE any of the following:

- TriFlow DRY
- Finish Line DRY
- Prolink Progold
- WD-40
- Loctite
- Purple Extreme
- Boeshield T-9