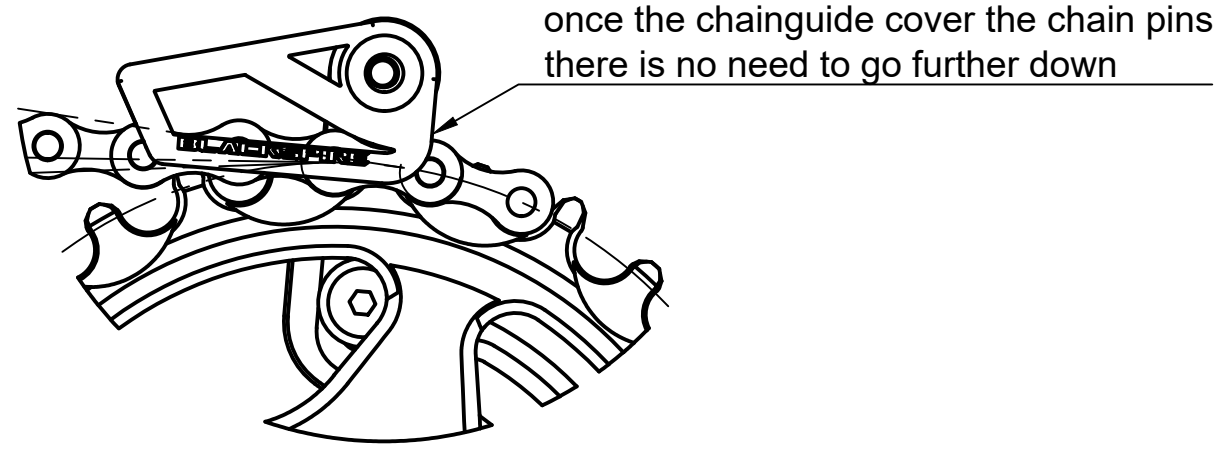
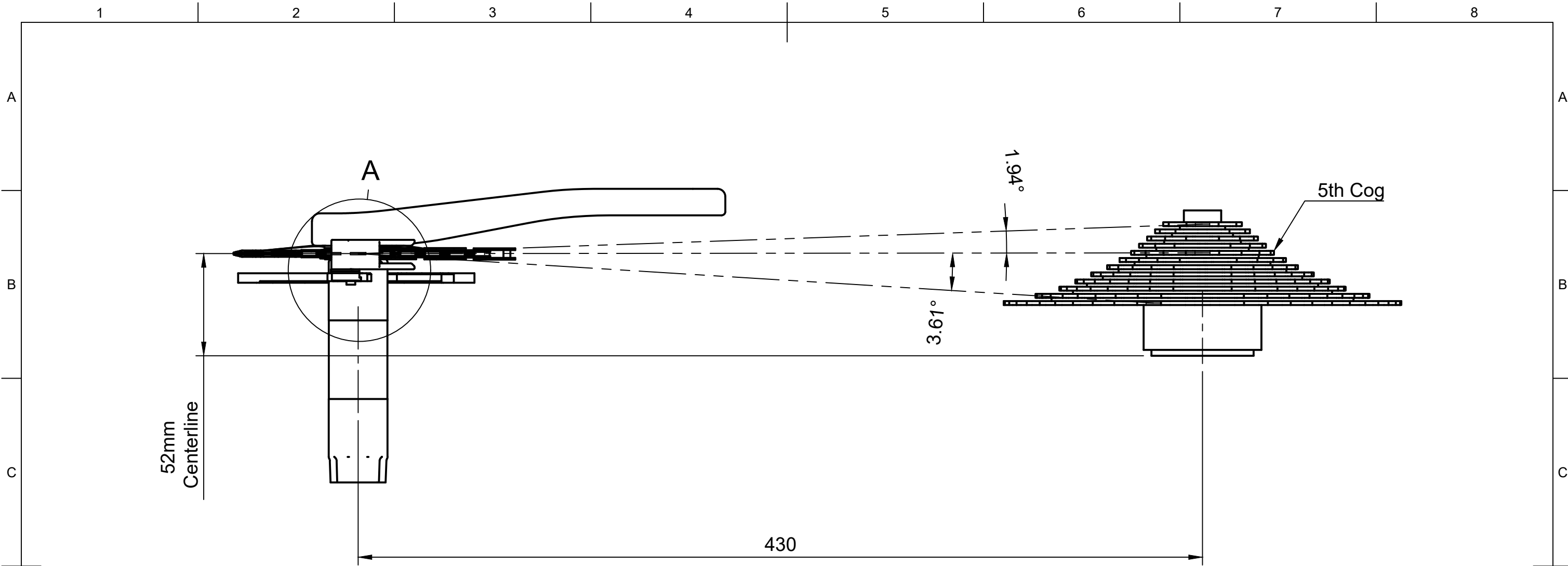


B (1:1)

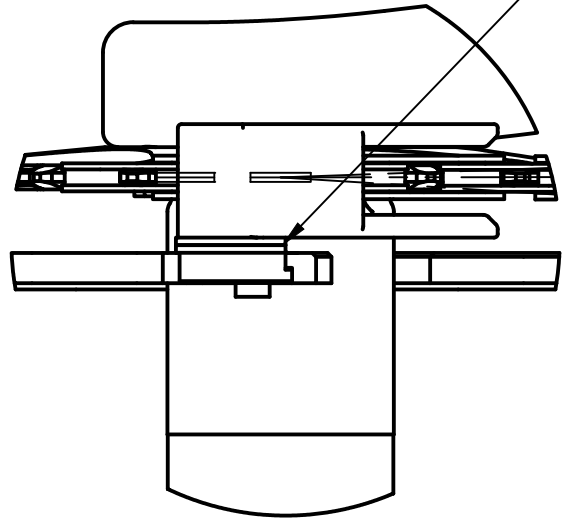


Title		Black Spire Designs	
Eagle Cassete on a Boost hub 30t chainring		Project Chain guide manual	
DWG No.		Created by Rodrigo Rebelo da Motta	
Scale: 1:2	Rev.	Date of issue 29/03/2020	Sheet 1/2



A (1:1)

Add Supplied spacers as needed



Title		Black Spire Designs	
Eagle Cassete on a Boost hub 30t chainring		Project	
		Chain guide manual	
DWG No.		Created by	
		Rodrigo Rebello da Motta	
Scale: 1:2		Rev.	Date of issue
			29/03/2020
		Sheet	2/2